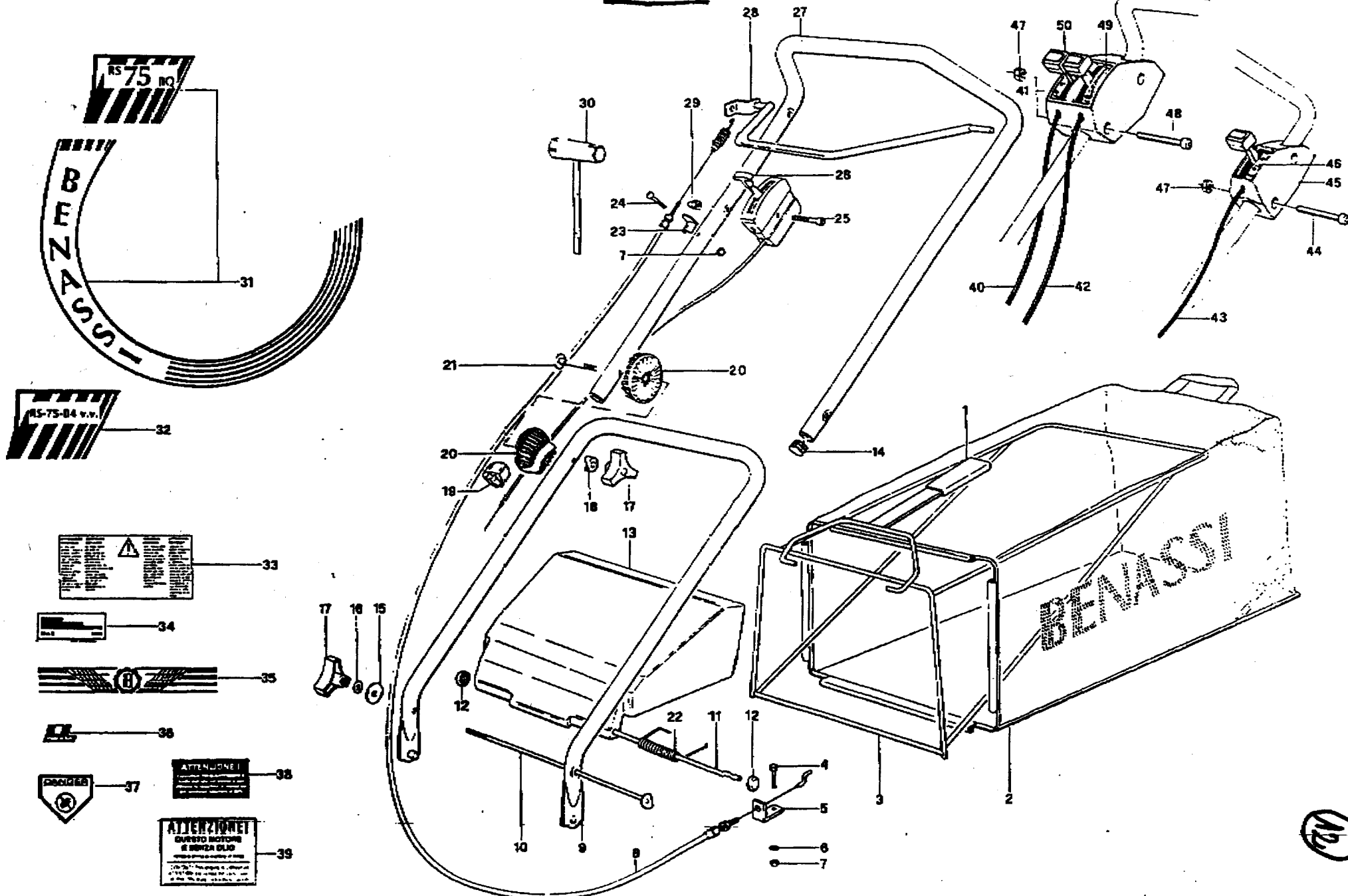


POS.	CODICE	DESCRIZIONE	Q.TA'	POS.	CODICE	DESCRIZIONE	Q.TA'
1	02.189.0.010.0	RUOTA ANT.	2	35	02.014.0.061.0	SUPP.SEMOV.	1
2	02.015.0.053.0	CUSCINETTO	8	36	02.014.0.026.0	SUPP.ASSE RUOTA	2
3	02.001.0.062.0	RONDELLA OND.	2	37	02.001.0.072.0	RONDELLA BIS.	3
4	02.189.0.021.0	VITE	2	38	02.016.0.012.0	CHIAVETTA	1
5	02.189.0.009.0	COPERCHIETTO	4	39	02.191.0.039.0	PULEGGIA	1
6	02.006.0.049.0	RONDELLA	2	40	02.014.0.033.0	CINGHIA SEM.	1
7	02.191.0.007.0	ASSALE POST.	1	41	02.117.0.041.0	CARTER	1
8	02.010.0.011.0	DADO	8	42	02.001.0.016.0	VITE	1
9	02.001.0.071.0	VITE	7	43	02.014.0.077.0	PULEGGIA	1
10	02.191.0.010.0	RUOTA POST.	2	44	02.014.0.075.0	CUSCINETTO	1
11	02.098.0.023.0	VITE	2	45	02.117.0.045.0	BRACCIO	1
12	02.191.0.016.0	PERNO RUOTA	2	46	02.117.0.046.0	MOLLA	1
13	02.014.0.031.0	INGR.SEMOV.	2	47	02.014.0.081.0	SUPP.TENDICING.	1
14	02.010.0.014.0	VITE	4	48	02.014.0.076.0	SEEGER	1
15	02.205.0.015.0	VITE	6	49	02.115.0.028.0	VITE	2
16	02.205.0.016.0	VITE	1	50	02.015.0.031.0	VITE	1
17	02.191.0.034.0	DISCO POST. DX.	1	51	02.002.0.009.0	DADO	3
18	02.191.0.018.0	DISCO POST. SX.	1	52	02.205.0.052.0	MOTORE QUANTUM	1
19	02.014.0.016.0	VITE	8	53	02.014.0.046.0	MANOPOLA	1
20	02.191.0.057.0	STAFFA	2	54	02.205.0.054.0	CORPO CENT.LE	1
21	02.014.0.029.0	VITE	6	55	02.189.0.030.0	ASSALE ANT.	1
22	02.014.0.028.0	FARFALLA	2	56	02.115.0.031.0	VITE	1
23	02.014.0.030.0	DADO	7	57	02.115.0.016.0	PIASTRINA	2
24	02.014.0.048.0	VITE	1	58	02.115.0.032.0	BARILOTTO	1
25	02.115.0.012.0	BANDELLA	1	59	02.014.0.106.0	RONDELLA	1
26	02.014.0.071.0	RIVETTI	2	60	02.115.0.014.0	VITE	1
27	02.014.0.057.0	VITE	2	61	02.189.0.021.0	VITE SPEC.	2
28	02.189.0.019.0	ASTA REG.TAGLIO	1	62	02.014.0.089.0	CHIAVETTA	1
29	02.117.0.029.0	SEMOVENZA	1	63	02.205.0.063.0	MOZZO P.LAME	1
30	02.117.0.030.0	PIASTRINA	1	64	02.191.0.064.0	LAMA FALC.	1
31	02.004.0.013.0	VITE	1	65	02.014.0.036.0	MOLLA TAZZA	1
32	02.001.0.007.0	RONDELLA BIS.	7	66	02.191.0.066.0	VITE	1
33	02.001.0.008.0	DADO M8	4	67	02.006.0.014.0	DADO	6
34	02.205.0.034.0	VITE	1				



POS.	CODICE	DESCRIZIONE	Q.TA'	POS.	CODICE	DESCRIZIONE	Q.TA'
1	02.014.0.096.0	POMELLO	1	26	02.192.0.026.1	MANETTINO ACC.	1
2	02.190.0.001.0	CESTELLO	1	26	02.206.0.026.0	MANETTINO ACC.	1
3	02.190.0.002.0	TELAIO CESTELLO	1	27	02.192.0.027.0	STEGOLA	1
4	02.014.0.078.0	VITE	2	28	02.192.0.028.0	LEVA SEM.	1
5	02.014.0.084.0	STAFFA	1	29	02.003.0.012.0	DADO CIECO	1
6	02.001.0.072.0	RONDELLA BIS.	2	30	02.114.0.022.0	CHIAVE	1
7	02.010.0.011.0	DADO AUTOM.	2	31	02.192.0.032.0	DECALCO	1
8	02.116.0.008.0	FILO SEM.	1	32	02.192.0.039.0	DECALCO	1
9	02.192.0.009.0	STEGOLA INF.	1	33	02.190.0.024.0	DECALCO	1
10	02.114.0.008.0	TIRANTE	1	34	02.114.0.111.0	DECALCO	1
11	02.190.0.008.0	PERNO FIS.COFANO	1	35	02.014.0.109.0	DECALCO	1
12	02.190.0.005.0	FISSAGGIO RAPIDO	2	36	02.011.0.079.0	DECALCO	1
13	02.190.0.003.0	COFANO PROT. POST.	1	37	02.011.0.078.0	DECALCO	1
14	02.002.0.019.0	TAPPO PLASTICA	2	38	02.190.0.013.0	DECALCO	1
15	02.003.0.017.0	RONDELLA	1	39	02.198.0.039.0	DECALCO	1
16	02.001.0.008.0	RONDELLA BIS.	1	40	02.204.0.029.0	FILO COM.ACC.	1
17	02.112.0.029.0	POMELLO	3	41	02.204.0.027.0	DECALCO	1
18	02.014.0.064.0	RONDELLA	2	42	02.206.0.042.0	FILO COM.VAR.	1
19	02.190.0.014.0	FASCETTA	1	43	02.206.0.043.0	FILO COM.ACC.	1
20	02.114.0.015.0	SETTORE DENT.	4	44	02.204.0.028.0	VITE	1
21	02.114.0.016.0	VITE	2	45	02.204.0.026.0	MANETTINO ACC.	1
22	02.190.0.004.0	MOLLA	1	46	02.206.0.046.0	DECALCO	1
23	02.014.0.015.0	STAFFA	1	47	02.001.0.023.0	DADO	1
24	02.003.1.019.0	VITE	1	48	02.206.0.048.0	VITE	1
25	02.014.0.092.1	VITE.	1	49	02.206.0.049.0	DECALCO	1
				50	02.206.0.050.0	MANETTINO	1